

# XLED PRO ONE

without motion detector - anthracite  
 EAN 4007841 069513  
 Article number 069513



<b>LED</b>	<b>3000 K</b>								
Langlebige LED 50.000 h	3000K warmweiß	IP44	Panel 180° vertikal	Innenleuchte/ Außenleuchte	Vernetzbar via Kabel	Energie sparen	Lichtquelle nicht austauschbar	Betriebsgerät nicht austauschbar	Plastikfreie Verpackung

## Function description

Floodlight redefined. The floodlight XLED PRO ONE, which can be swivelled vertically through 180° without a sensor and comes in a stylish aluminium housing, ensures daylight illumination of large areas with warm white 3000 K and 2236 lm at 17,7 W. Suitable for manual switch operation and for cable-based networking in conjunction with a sensor version. With optional surface-mounted adapter. Available in white or anthracite. 5-year guarantee.

## Technical specifications

Dimensions (L x W x H)	182 x 229 x 206 mm	Photo-cell controller	No
With lamp	Yes, STEINEL LED system	Cover material	shrouds
With motion detector	No	Luminous flux total product	2236 lm
Manufacturer's Warranty	5 years	Measured luminous flux (360°)	2236 lm
Version	without motion detector - anthracite	Total product efficiency	126 lm/W
PU1, EAN	4007841069513	Colour temperature	3000 K
Application, place	Outdoors	Colour variation LED	SDCM3
Application, room	outdoors, garden, front door, courtyard & driveway, all round the building	Lamp	LED cannot be replaced
Colour	Anthracite	Service life LED L70B50 (25°)	> 36000 h
Includes corner wall mount	No	LED cooling system	Passive Thermo Control
Installation site	ceiling, wall	Functions	Relay output
Installation	Surface wiring, Wall	Basic light level function	No
Impact resistance	IK03	Main light adjustable	No
IP-rating	IP44	Twilight setting TEACH	No
Protection class	I	Interconnection	Yes
Ambient temperature	-20 – 40 °C	Type of interconnection	Master/slave
		Interconnection via	Cable

LED floodlight without sensor - Professional Line

# XLED PRO ONE

without motion detector - anthracite  
EAN 4007841 069513  
Article number 069513



## Technical specifications

Housing material	Aluminium	Output	17,7 W
Cover material	Glass transparent	Colour Rendering Index CRI	= 80
Mains power supply	220 – 240 V / 50 – 60 Hz		

## Accessories

EAN 4007841 080990	Surface mount adapter XLED PRO ONE
EAN 4007841 079000	RC 12

LED floodlight without sensor - Professional Line

# XLED PRO ONE

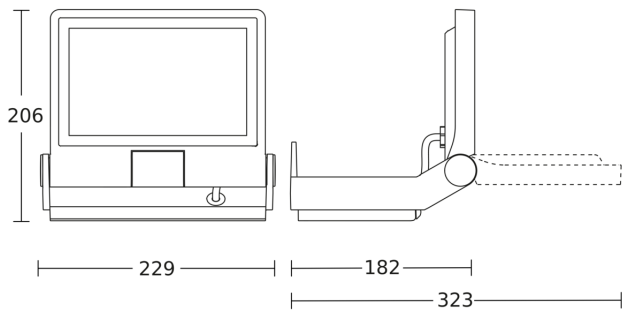
without motion detector - anthracite

EAN 4007841 069513

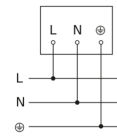
Article number 069513



## Dimension Drawing



## Slave circuit diagram



## Master/slave interconnection circuit diagram

